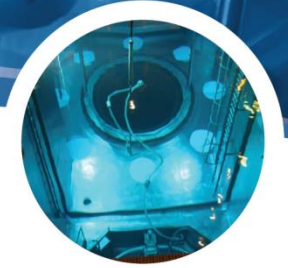
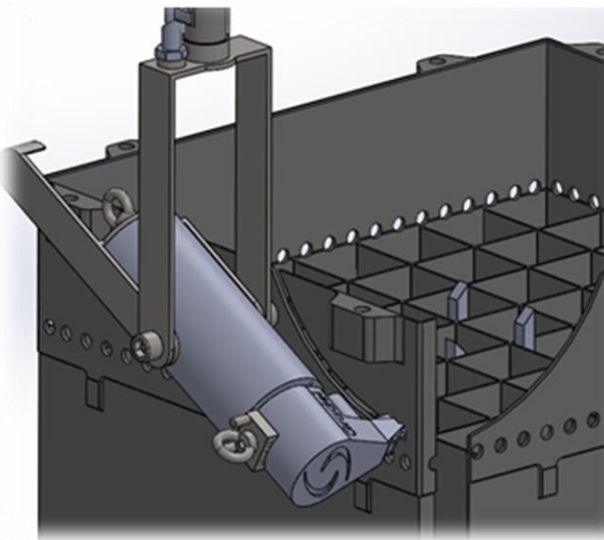


UW CUTTING NIBBLING TOOL

NUCLEAR




GRADEL
www.gradel.lu



Cutting of large components:

- **Dry or under water**
- **Remote-controlled**
- **Created swarfs easy to handle**
- **No creation of fine particles**
- **Dimensions for cutting area on demand**
- **Sheets and tubes**
- **Thicknesses up to 10 mm in stainless steel**